



COMBO ALUMINIUM

The best of both worlds!

Casement or Awning



Single or
Double Hung



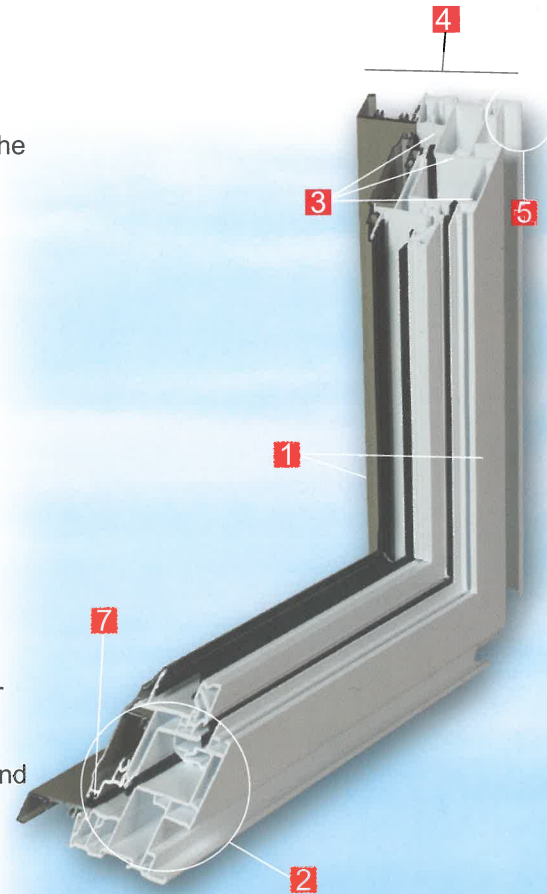
Single or Double Slider



CASEMENT – AWNING

Characteristics

- 1 Window combining the thermal performance of the PVC on the inside with the structural strength, the aesthetics of lines and colours and the durability of enamelled extruded aluminium on the outside.
- 2 Multiple chamber profiles for optimum thermal insulation.
- 3 Triple weatherstrips located on the sash for maximum air and water tightness.
- 4 4 1/2" wide frame that puts the glass in the warm part of the wall. Furthermore, its 90° geometry allows for better water evacuation on top of being easy to clean.
- 5 3/4" wood and 1/2" drywall returns built in the frame.
- 6 Removable interior screen with an enamelled aluminium frame.
- 7 Water evacuation without any apparent hole or cap.
- 8 Member of a complete family of products (casements, awnings, horizontal sliders, vertical sliders, picture frames and entrance doors) that have similar exterior looks.
- 9 Profiles extruded with a PVC compound powder that gives a glossy finish and reduces dirt adherence.



Casement

Options

- A Brick mould.
- B Different types of glass.
- C Removable or glass integrated grills.
- D 3/4" wood interior extension clad with PVC (made to measure) or full PVC plank with matching casing.
- E Structural sash mullion.
- F Interior finishing wood:
 - Pine
 - Oak
 - Mahogany

Available Colours:

White, Anodized, Canyon-Clay # 510, Sablon # 547, Commercial Brown # 562, Khaki # 559, Black # 525

**Custom colours available through special order*

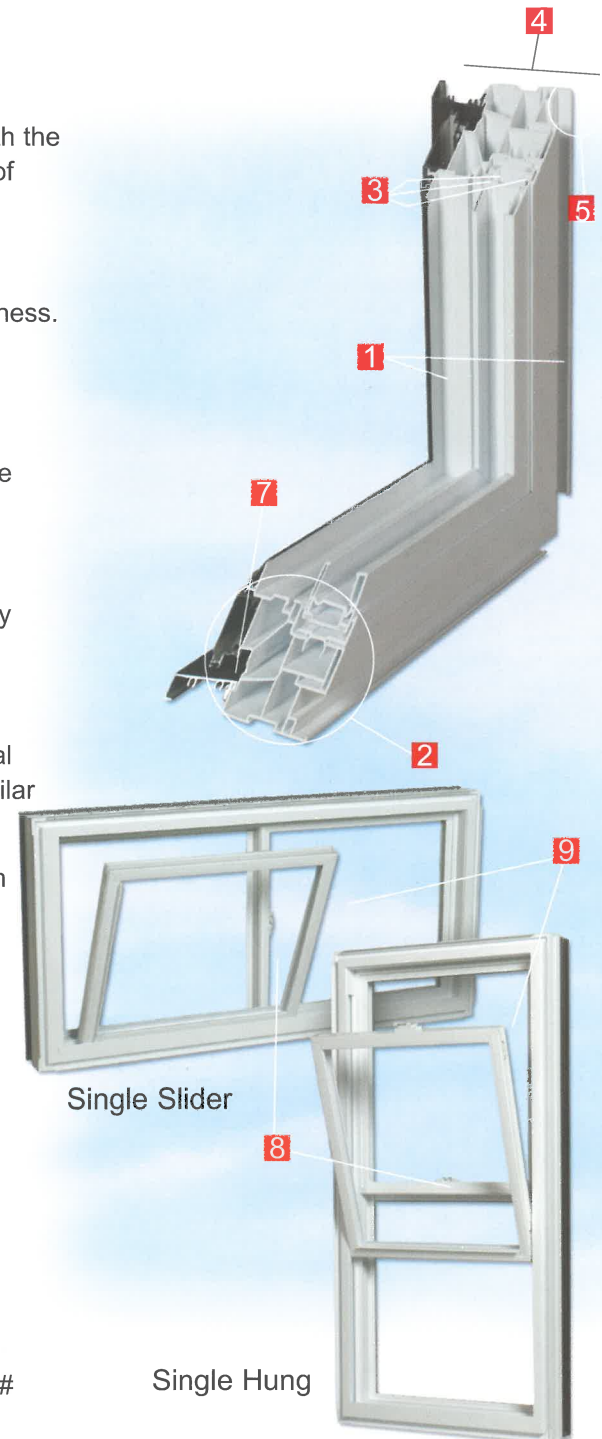
Performances

PRODUCT	STANDARD	AIR INFILTRATION	WATER INFILTRATION	WIND LOAD	FORCED ENTRY
CASEMENT AWNING	A440-M98	A3/F	B7	C4/C5	F10

SINGLE SLIDER – SINGLE HUNG

Characteristics

- 1 Window combining the thermal performance of the PVC on the inside with the structural strength, the aesthetics of lines and colours and the durability of enamelled extruded aluminium on the outside.
- 2 Multiple chamber profiles for optimum thermal insulation.
- 3 Triple weatherstrips located on the sash for maximum air and water tightness.
- 4 4 1/2" wide frame that puts the glass in the warm part of the wall.
- 5 3/4" wood and 1/2" drywall returns built in the frame.
- 6 Half-size screen, with an enamelled aluminium frame, removable from the inside.
- 7 Water evacuation without any apparent hole or cap.
- 8 Central interlocking system that increases air tightness as well as security against forced entry.
- 9 Sash tilts inside to facilitate cleaning.
- 10 Member of a complete family of products (casements, awnings, horizontal sliders, vertical sliders, picture frames and entrance doors) that have similar exterior looks.
- 11 Profiles extruded with a PVC compound powder that gives a glossy finish and reduces dirt adherence.



Options

- A Brick mould.
- B Different types of glass.
- C Glass integrated grill.
- D 3/4" wood interior extension clad with PVC (made to measure) or full PVC plank with matching casing.

Available Colours:

White, Anodized, Canyon-Clay # 510, Sablon # 547, Commercial Brown # 562, Khaki # 559, Black # 525

**Custom colours available through special order*

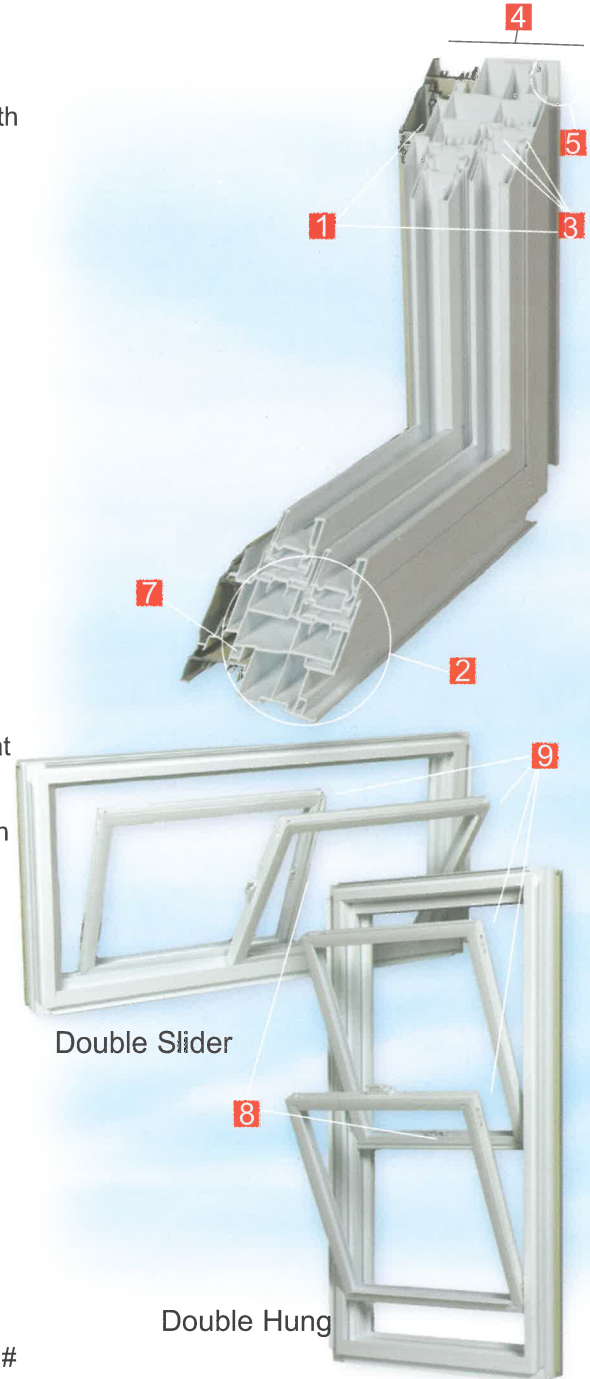
Performances

PRODUCT	STANDARD	AIR INFILTRATION	WATER INFILTRATION	WIND LOAD	FORCED ENTRY
SINGLE SLIDER	A440-00	A2/F	B3	C3	F10
SINGLE HUNG	A440-00	A3/F	B2/B3	C2/C4	F10

DOUBLE SLIDER – DOUBLE HUNG

Characteristics

- 1 Window combining the thermal performance of the PVC on the inside with the structural strength, the aesthetics of lines and colours and the durability of enamelled extruded aluminium on the outside.
- 2 Multiple chamber profiles for optimum thermal insulation.
- 3 Triple weatherstrips located on the sash for maximum air and water tightness.
- 4 4 1/2" wide frame that puts the glass in the warm part of the wall.
- 5 3/4" wood and 1/2" drywall returns built in the frame.
- 6 Full or half-size screen, with an enamelled aluminium frame.
- 7 Water evacuation without any apparent hole or cap.
- 8 Central interlocking system that increases air tightness as well as security against forced entry.
- 9 Sashes tilt inside to facilitate cleaning.
- 10 Member of a complete family of products (casements, awnings, horizontal sliders, vertical sliders, picture frames and entrance doors) that have similar exterior looks.
- 11 Profiles extruded with a PVC compound powder that gives a glossy finish and reduces dirt adherence.



Options

- A Brick mould.
- B Different types of glass.
- C Glass integrated grill.
- D 3/4" wood interior extension clad with PVC (made to measure) or full PVC plank with matching casing.

Available Colours:

White, Anodized, Canyon-Clay # 510, Sablon # 547, Commercial Brown # 562, Khaki # 559, Black # 525

Performances

PRODUCT	STANDARD	AIR INFILTRATION	WATER INFILTRATION	WIND LOAD	FORCED ENTRY
DOUBLE SLIDER	A440-00	A2	B2/B3	C3/C4	F20
DOUBLE HUNG	A440-00	A2	B3	C3	F20



Manufactured by

Distributed by